

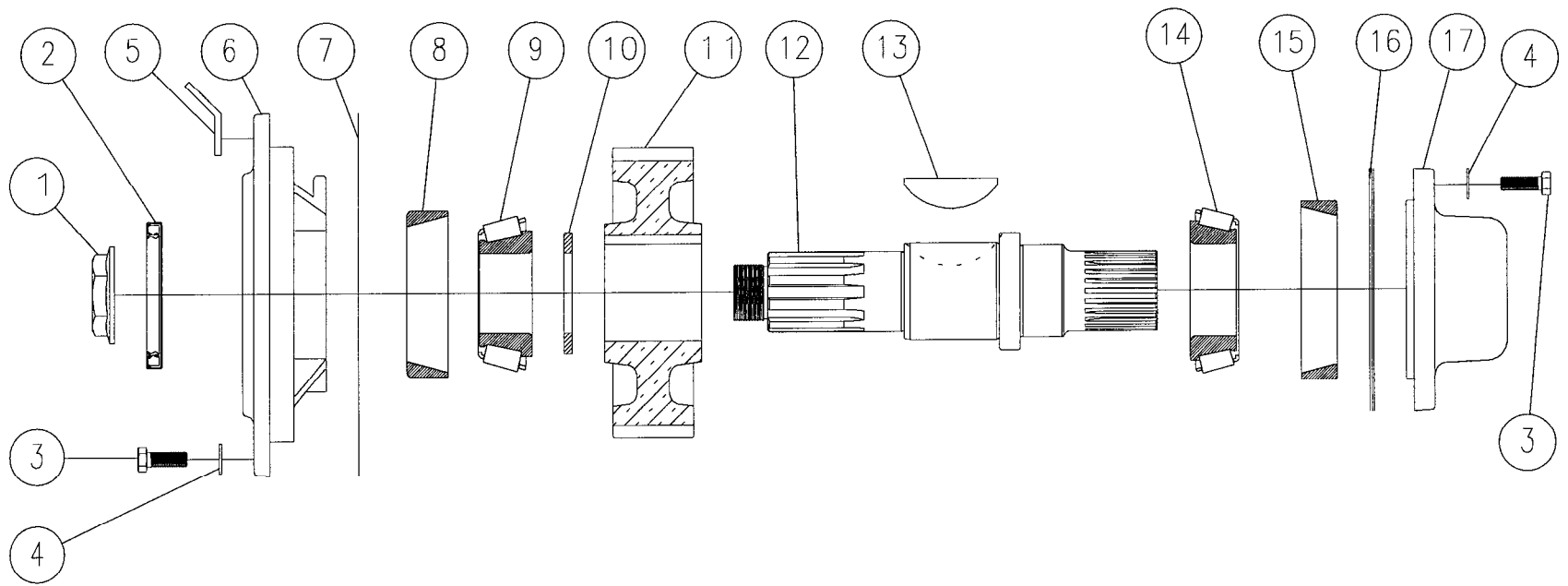
TC-270 UPPER SHAFT ASSEMBLY WITHOUT PTO PROVISIONS

**TC-270 UPPER SHAFT ASSEMBLY**  
**Models without PTO Provisions**

<u>ITEM</u>	<u>PART NO.</u>	<u>DESCRIPTION</u>	<u>QTY.</u>	<u>FOOT NOTE</u>
1	688 738	Nut, 1 3/4-12, Lock	1	
2	732 355	Seal	1	
3	265 238	Bolt, 7/16-14 x 1 1/4 Hex Head	16	
4	927 347	Washer, 7/16 Flat	16	
5	273 687	Bracket, Lifting	2	
6A	237 542 001	Carrier, Front <u>with</u> Lubrication Port	1	
6B	237 542 003	Carrier, Front <u>without</u> Lubrication Port	1	
7	427 523	Gasket	1	
8	233 492	Bearing Cup	1	
9	233 493	Bearing Cone	1	
10	927 797	Washer, Input Shaft Spacer	1	
11	432 628	Gear, Input Shaft	1	
12	776 229	Shaft, Input <u>without</u> PTO Provision	1	
13	966 326	Key	1	
14	233 489	Bearing Cone	1	
15	233 375	Bearing Cup	1	
16	744 278	Shim, .030 Thick, Coral	A/R	1
	744 279	Shim, .015 Thick, Pink	A/R	1
	744 282	Shim, .005 Thick, Blue	A/R	1
	744 283	Shim, .002 Thick, Red	A/R	1
17A	235 568 001	Cap, Top Rear without Lubrication Port	1	
17B	235 568 002	Cap, Top Rear with Lubrication Port	1	

Footnotes:

1. See section 6.2 of service manual for adjustment procedures.



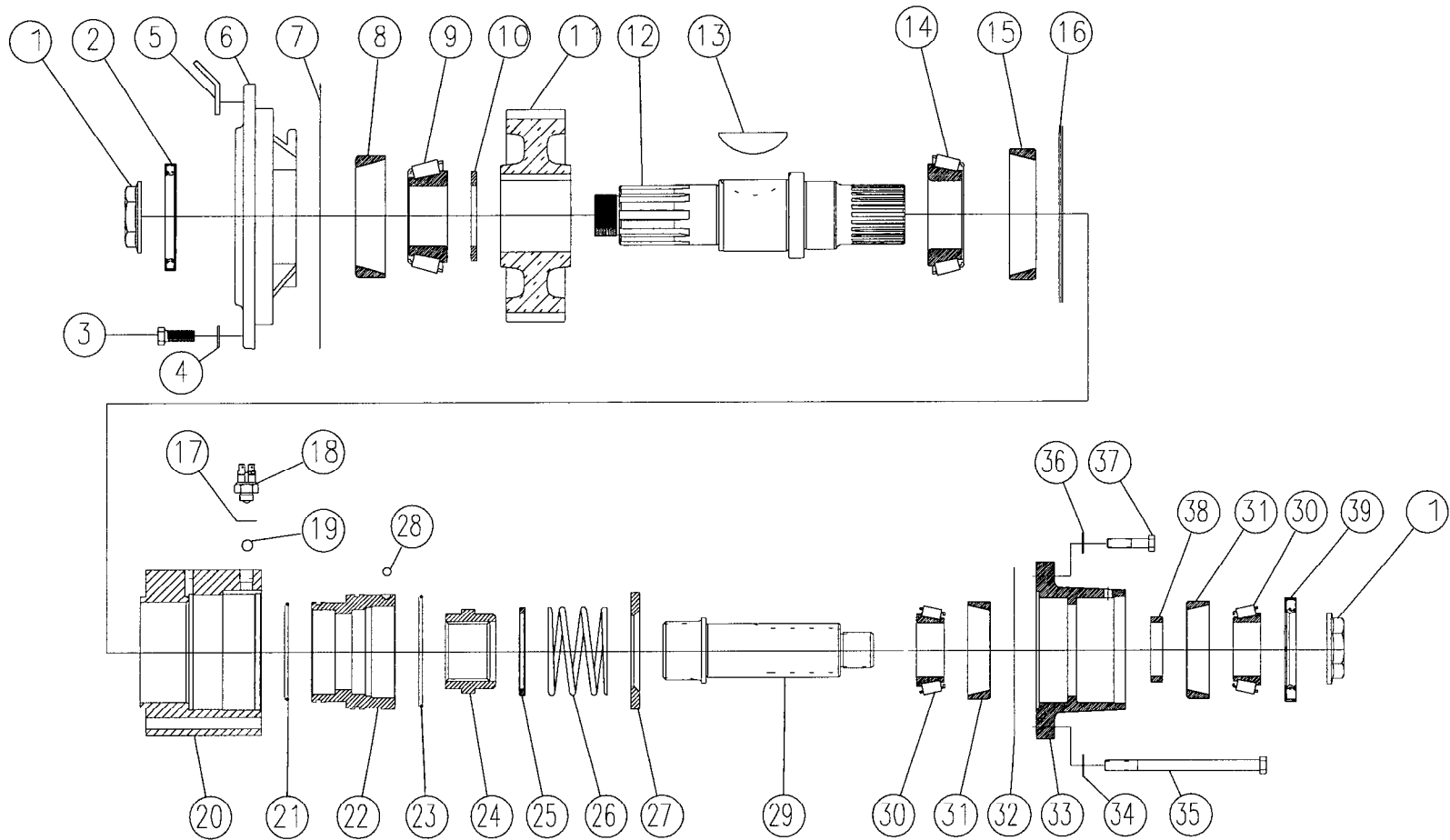
TC-270 UPPER SHAFT ASSEMBLY WITH PTO PROVISIONS

**TC-270 UPPER SHAFT ASSEMBLY**  
**Models with PTO Provisions**

<u>ITEM</u>	<u>PART NO.</u>	<u>DESCRIPTION</u>	<u>QTY.</u>	<u>FOOT NOTE</u>
1	688 738	Nut, 1 3/4-12, Lock	1	
2	732 355	Seal	1	
3	265 238	Bolt, 7/16-14 x 1 1/4 Hex Head	16	
4	927 347	Washer, 7/16 Flat	16	
5	273 687	Bracket, Lifting	2	
6	237 542 003	Carrier, Front <u>with</u> Lubrication Port	1	
7	427 523	Gasket	1	
8	233 492	Bearing Cup	1	
9	233 493	Bearing Cone	1	
10	927 797	Washer, Input Shaft Spacer	1	
11	432 628	Gear, Input Shaft	1	
12	776 257	Shaft, Input <u>with</u> PTO Provision	1	
13	966 326	Key	1	
14	233 489	Bearing Cone	1	
15	233 375	Bearing Cup	1	
16	744 278	Shim, .030 Thick, Coral	A/R	1
	744 279	Shim, .015 Thick, Pink	A/R	1
	744 282	Shim, .005 Thick, Blue	A/R	1
	744 283	Shim, .002 Thick, Red	A/R	1
17	235 655	Cap, Top Rear (PTO Provisions model)	1	

Footnotes:

1. See section 6.2 of service manual for adjustment procedures.



TC-270 UPPER SHAFT ASSEMBLY WITH PTO































