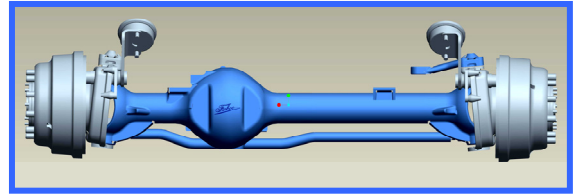




AUTOMOTIVE CORPORATION



STEERABLE DRIVE AXLE SPECIFICATIONS

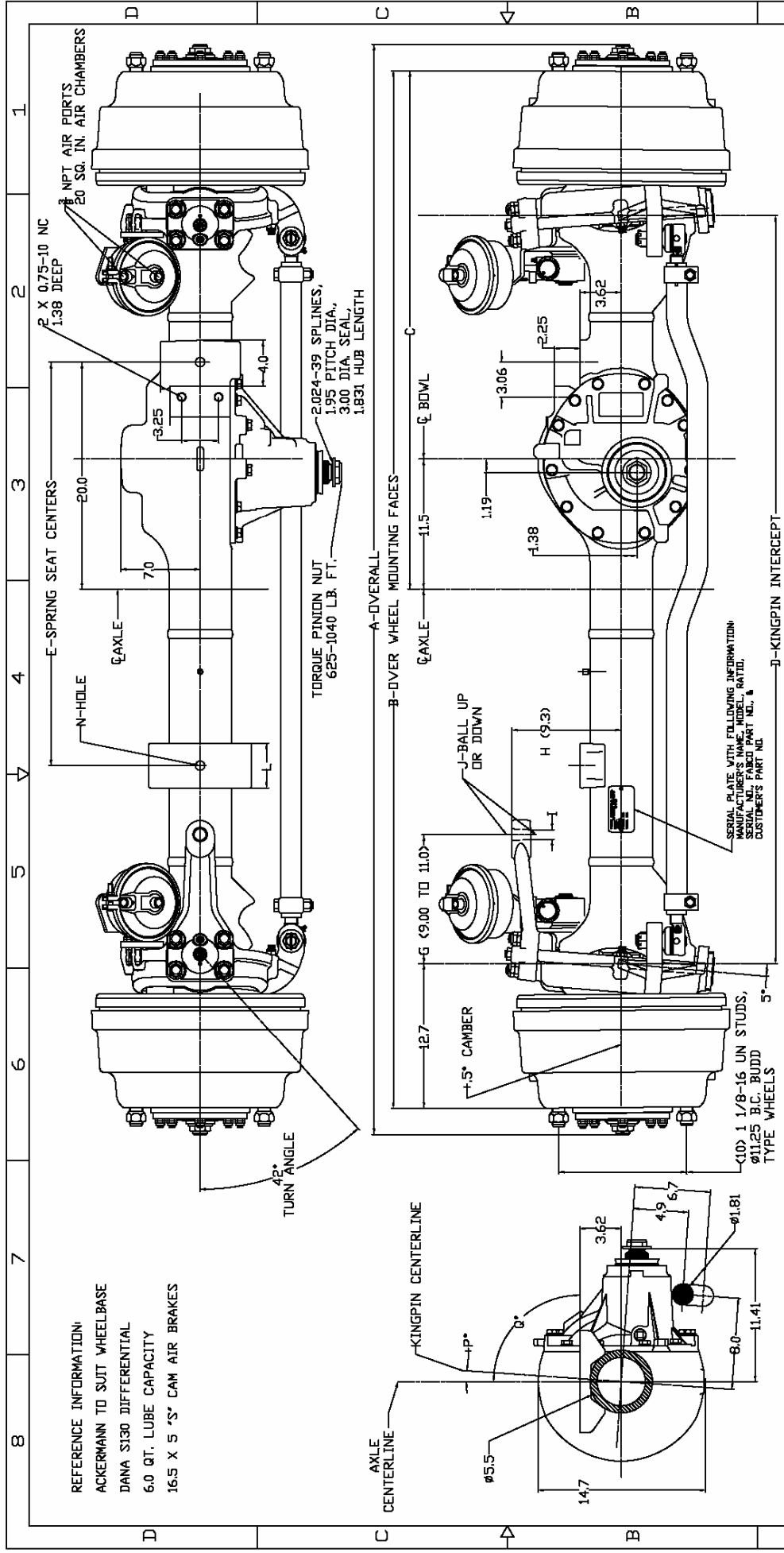
FABCO MODELS FSD-8A, FSD-10A, FSD-12A, FSD-13A, FSD-14A

Nominal Capacities lb.	8,000, 10,000, 12,000, 13,200 14,000, 14,600
Brakes	
Type	Drum, S-cam
Size	16.5-inch Diameter, EES-420 Lining Material
Chamber	20 Square Inch
Certification	FMVSS 121
Slack Adjusters	Automatic
Housing	Fabricated Steel, Offset & Center Differential Positions
Camber	1/2 Degrees Positive
Wheels	
Mounting	10-Studs on 285.75mm BC, hub piloted 10-Studs on 11.25-inch BC, stud piloted 10-Studs on 335 mm BC, hub piloted
Minimum Wheel Size	20 Inch
Differential Carrier	Hypoid
Ring Gear Diameter	12.20 Inch
Pinion Spline	2.00-inch diameter, 39 spline involute
Single Reduction Ratios	3.07, 3.31, 3.58, 3.73, 3.91, 4.10, 4.30, 4.56, 4.78, 4.88, 5.13, 5.38, 5.57, 5.86, 6.14, 6.50
Universal Joint	Double Cardan
Kingpins	
Type	Spherical
Inclination	5 Degrees
Track	91.1 Inches over wheel Mounting Faces
Axle Shafts	
Spline	1.85 Inch Diameter, 36 Spline Involute
Body	1.80 Inch Diameter
Turn Angle	42 Degrees Available
Lubrication	
Type	SAE 90, 140, 80W-140, Synthetic Acceptable
Weight – Dry	1,390-lb.

OPTIONS:

- TrueTrac Limited Slip Differential
 - Dual Steering Arms
 - Spring Seat Width and Centers
 - Caster Angle
- Consult Fabco Sales for additional options

Approval of use contingent up on
Fabco application review.



REFERENCE INFORMATION:
 ACKERMANN TO SUIT WHEELBASE
 DANA S130 DIFFERENTIAL
 6.0 QT. LUBE CAPACITY
 16.5 X 5 "S" CAM AIR BRAKES

NOTE: ALL DIMENSIONS ARE REFERENCE.
 SINGLE REDUCTION RATIO: 3.07, 3.31, 3.58, 3.73, 3.91, 4.10, 4.30, 4.56,
 4.78, 4.88, 5.13, 5.38, 5.57, 5.86, 6.14, 6.50

STANDARD: CUSTOMER TO SPECIFY.

A	B	C	D	E	F	G	H	I	J	K	L	M	N	P	Q	R
96.091.1	45.665.8															
CUSTOMER PART NO.	FABCD PART NO.	RATIO														
		AVAILABLE OPTIONS: DUAL STEERING ARMS STUD PILDED WHEEL MOUNTING ABS PROVISION														

INSECT DAMAGE PROTECT ALL TELEPHONE ARE AS FOLLOWS:
 RECORD NO. 555 158
 DATE 12/12/02
 BY K. HAUGEN
 SCALE 1/4
 PART NUMBER 555 158
 AXLE, STEERABLE DRIVE,
 MODEL FSD-12A
 NUMBER OF PART NUMBER 555 158
 PART 1 OF 1